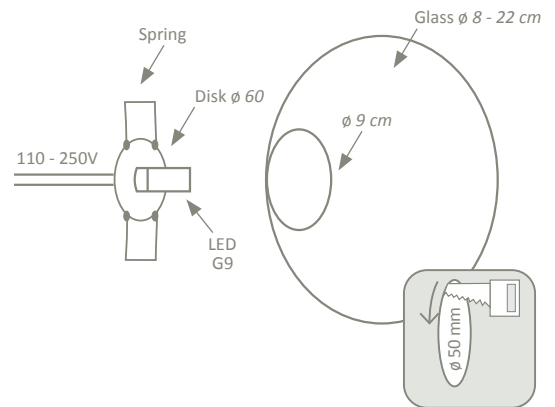
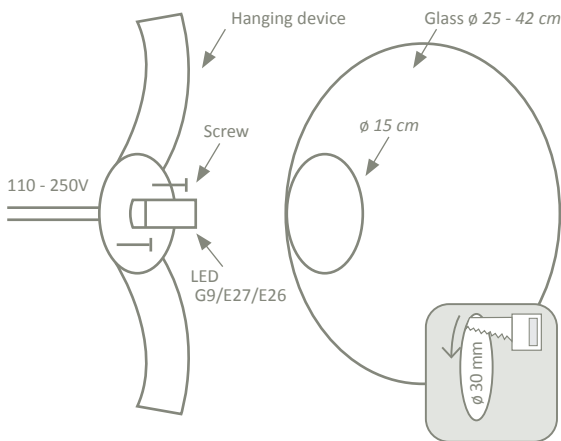


# PLANÈTES WALL LIGHT

- ★ Glass sphere is fixed against a wall.
- ★ Hanging device is hidden in the glass
- ★ Mouth blown glass, with stone powder hand-modelled thanks to our specific technics. Each Planète is unique.
- ★ 2 700K warm white LED or 6 000K pure white LED or other.

2 kg $\phi$ 25 cm - 5 kg $\phi$ 42 cm			0-40°C		230V	G9 - 5W $\phi$ 20 cm / E27 - 20W $\phi$ 42 cm	CE, CB
					110V	G9 - 5W $\phi$ 20 cm / E26 - 20W $\phi$ 42 cm	

**Glass, metal**  
**Dimming (option): triac, phase cut**



Lunes wall lights  $\phi$  8 - 42cm